

Specifications



MODEL	PX9530	PX1053	PX1153	
	Power/Synchro Shuttle	Power/Synchro Shuttle	Power/Synchro Shuttle	
ENGINE				
Model	DL03-LEA09	DL03-LEA08	DL03-LEA07	
Engine Gross Power	HP(kw)	93(69.3)	103(76.8)	110(82.0)
Rated revolution	rpm	2200	2200	2200
Type	4Cyl., In-line Vertical, Water-cooled	4Cyl., In-line Vertical, Water-cooled	4Cyl., In-line Vertical, Water-cooled	
Total displacement	cc	3,409	3,409	3,409
Alternator	V-A	12V-110A	12V-110A	12V-110A
Battery	V-A(20h)	12V-100AH	12V-100AH	12V-100AH
Fuel tank	ℓ	130	130	130
Urea tank	ℓ	20	20	20
Maximum PTO Power	HP	74/76.8	80.1/84.1	92.6/90
Rear PTO		Independent	Independent	Independent
	rpm	540/750/1000	540/750/1000	540/750/1000
Ground PTO		Std	Std	Std
HYDRAULIC				
3 Point Lift Control Type		Position, Draft Mixed Control	Position, Draft Mixed Control	Position, Draft Mixed Control
Total hydraulic flow	lpm	119.2	119.2	119.2
3-point hitch type		Category II	Category II	Category II
Max. Lifting Capacity@lift point	kg.f	4410	4410	4410
Lifting Capacity@610mm point (Through the full range)	kg.f	3630	3630	3630
Rear No.of standard remote valve's port		4	4	4
Hydraulic Trailer Brake		Opt	Opt	Opt
DRIVE TRAIN				
Transmission		Power shuttle/Synchro	Power shuttle/Synchro	Power shuttle/Synchro
No. of speeds		32x32 / 16x16	32x32 / 16x16	32x32 / 16x16
Differential lock		Rear standard	Rear standard	Rear standard
Traveling Speeds Forward	km/h	0.23~38.45	0.23~40.97	0.23~40.97
Traveling Speeds Reverse	km/h	0.22~38.18	0.23~40.68	0.23~40.68
DIMENSIONS				
Overall length (w/o front weight and w/o 3pt hitch)	mm	3,971	3,971	3,971
Overall length (w/o front weight and w/3pt hitch)	mm	4,290	4,290	4,290
Overall length (w/front weight and w/3pt hitch)	mm	4,670	4,670	4,670
Overall width	mm	2,250	2,250	2,250
Tread width - Front	mm	1,660	1,570	1,570
Tread width - Rear	mm	1,686	1,790	1,790
Overall height	mm	2,740	2,770	2,770
Wheel base	mm	2,370	2,370	2,370
Ground(Crop) clearance	mm	475	495	495
Turning radius(w/brake)	mm	3,900	4,200	4,200
Weight with Cabin and AG tires	kg.f	3,615	3,670	3,670
TIRE SIZE				
AG. Tire Front		12.4-24	13.6-24	13.6-24
AG. Tire Rear		18.4-30	18.4-34	18.4-34
Radial Tire Front		360/70R24 380/70R24	380/70R24	380/70R24
Radial Tire Rear		460/85R30 480/70R34	480/70R34	480/70R34

*NOTE: Specifications and design are subject to change without notice.

Standard Equipment

- Auto 4WD
- Auto PTO
- Parking alarm
- PTO cruise
- Eco-signal
- Speedometer
- Escort Lamp Control
- External hydraulic cylinder
- Joystick valve
- Front fender
- Rear fender
- Telescopic Rear view mirror
- Air conditioner / Heater
- Rear window wiper
- Air suspension seat
- External 3pt. lift control(Lever)
- Ground PTO
- 7-PIN Socket

Optional Equipment

- Front weights
- Rear weights
- 3rd Hydraulic valve (Detent/Detent floating)
- Hydraulic trailer break
- Refrigerator/Heating cabinet
- Rear view camera
- Beacon
- Side working lamp(LED)
- Lockable fuel tank cap



Daedong Kioti Europe B.V
 Koerilenstraat 2, 3199 LR Maasvlakte Rotterdam,
 The Netherlands
 Tel. 31-181-353024 Web. www.kioti.eu

Dealer Imprint Area

Part Number LIT-PX-ALL

NEW PX Series

KIOTI AG TRACTOR



KIOTI Tractor / Daedong Ind. Co., Ltd. / 10.16



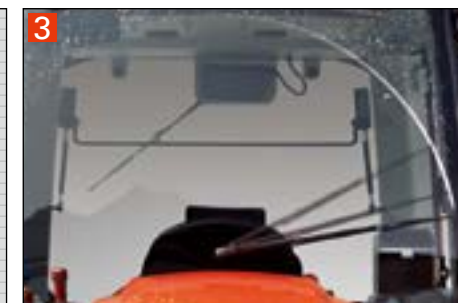
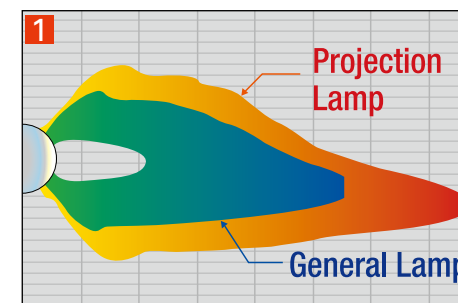
EXTERIOR

The PX series combines modern design and robust functionality into one powerful workhorse.



- 1 Projection Lamp**
Newly designed headlights allow the operator to see and work safely even in low light condition.
- 2 Single Piece Hood**
One single hood gives easy access to components for maintenance and inspection.
- 3 Front Wiper**
The front windshield wiper has been positioned lower to give the operator a clear and unobstructed view.
- 4 Rear Window Wiper**
The rear window wiper ensures clear visibility to the rear by keeping the rear window clean from rain and dust.
- 5 Working Lamp / Side Working LED Lamp(Opt.)**
Rear adjustable working lamps allow the operator to operate safely and effectively in low light conditions.
- 6 External 3 point lift control**
Makes it quick and easy to mount and demount rear linkage implements.

- 7 Rear Remote Hydraulic Valve**
The PX series comes standard with dual remote hydraulic valves to accommodate a wide variety of attachments and implements. PX series tractors offer an optional third remote hydraulic valve.
- 8 Large Fuel Tank**
130 Litre fuel tank provides more productive work time without frequent re-fuelling.
- 9 Telescopic Mirror**
Adjustable telescopic mirrors provide a wider view.
- 10 Front/Rear Fender**
Wide extended fenders with two-tone color protect the machine in tough terrain from the dust, mud and water which might cause damage or a the breakdown.
- 11 External Hydraulic Lift Cylinder**
The PX series tractor has two external hydraulic lift cylinders which increase the lift capacity up to 3,630kgf (610mm from the lifting point)



INTERIOR

The standard PX series deluxe cab includes: LCD Dashboard, Bluetooth/MP3 Player, A/C and Heater, Air suspension seat

1 LCD Dashboard w / Eco Lamp

The operator can check and monitor the details relating to several operating functions information such as speed, fuel efficiency, eco mode and etc. are recorded on the LCD functioned dashboard.

2 Bluetooth/MP3 Player

The driver has an enhanced working environment and experience with music and radio during work..

3 Air conditioner / Heater

Temperature control keeps the cabin to a comfortable working condition for the operator throughout all seasons.

4 Synchronized & Power Shuttle Lever

The synchronized shuttle lever makes it easy to change direction from forwards to backwards and reduces Operator fatigue. The power shuttle lever provides smooth operation and means the operator does not need to continuously press the foot clutch pedal during intense front loader work or standard gear changes.

5 Rear View Camera(Opt.)

Rear view camera helps the operator to easily monitor the rear side of the tractor.

6 Hi-Low (32x32 gears) and hand clutch

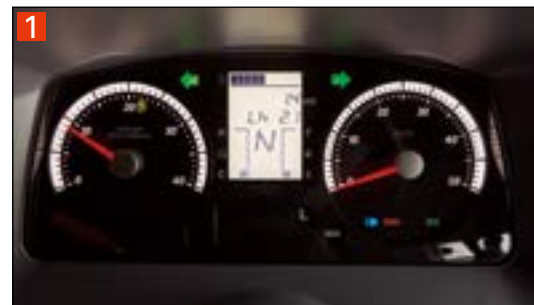
Hand clutch enables a driver to shift gear without using foot clutch. The Hi-low gear function ensures the operator, however fast, slow or accurate he needs to be, always has the right gear available for the job.

7 Air Suspension Seat

Air suspension seat gives the operator a comfortable ride even after long operating hours and in any task.

8 Refrigerator/Warmer(Opt.)

Helps to serve hot or cold beverages for increased driver comfort and efficiency.



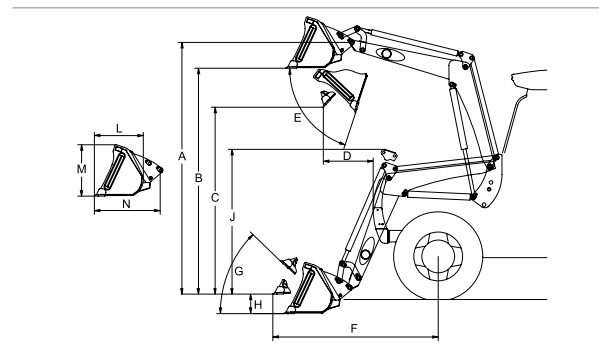
Performance

PX series high-performance tractors pack impressive power and smooth handling into one dependable workhorse. With many standard features including an operator friendly cab and self-leveling loader, the PX series is ready for any job that demands a durable tractor.

Front Loader

The KIOTI KL series loaders are built strong and feature heavy lift capacity with greater lift height and high quality components that enable you to tackle any kind of job with confidence.

LOADER SPECIFICATIONS



Loader Model **KL1103** / Tractor Model **PX9530/1053/1153**

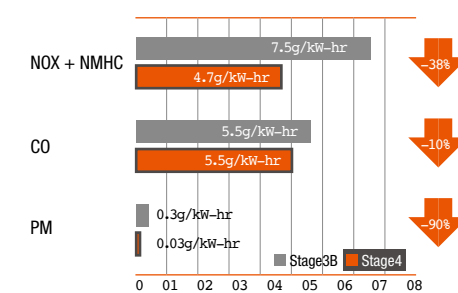
A	Maximum Lift Height	3,670 mm	144.5 "		
B	Clearance with Attachment Level	3,307 mm	130.2 "		
C	Clearance with Attachment Dumped	2,703 mm	106.4 "		
D	Reach at Maximum Height (45°)	522 mm	20.6 "		
E	Maximum Dump Angle	60.3 °	60.3 °		
F	Reach with Attachment on Ground	2,413 mm	95.0 "		
G	Attachment Rollback Angle	49.5 °	49.5 °		
H	Digging Depth Below Grade	271 mm	10.7 "		
J	Overall Height in Carry Position	2,048 mm	80.6 "		
L	Depth of Attachment (to back of inner shell)	720 mm	28.3 "		
M	Height of Attachment	641 mm	25.2 "		
N	Depth of Attachment (to pivot pin)	907 mm	35.7 "		
	Lift Capacity to Full Height at Pivot Pin	1,941 kgf	4,280 lbs		
	Breakout Force at Pivot Pins	2,775 kgf	6,117 lbs		
	Lift Cylinder	ø80 mm × 870 mm	ø3.1 × 34.3 "		
	Bucket Cylinder	ø80 mm × 1,450 mm	ø3.1 × 57.1 "		
	Bucket Width	2,210 mm	87 "		
	Bucket Weight	203 kg	447.5 lbs		
	Approx. Weight (without Bucket)	817 kg	1801.0 lbs		
	Bucket Capacity	0.74 m ³ (0.48 m ³)	26.13 cu.ft (16.95 cu.ft.)		
	Cycle Times	Idle Min. (1,000 rpm)	1,500 rpm	2,000 rpm	Idle Max. (2,350 rpm)
	Raise Boom	13.57 sec	8.75 sec	6.27 sec	5.41 sec
	Lower Boom	5.58 sec	5.18 sec	4.24 sec	3.52 sec
	Dump Bucket	8.55 sec	5.75 sec	4.19 sec	3.62 sec
	Retract Bucket	6.36 sec	4.27 sec	2.99 sec	2.52 sec

Dynamic and Linear Design

PX Series



[Emission Comparison]



Irritant to respiratory organs and eyes; causing coughing. Causing smog phenomenon in reaction to CO₂; C₂H₆, a type of hydrocarbon, is a major cause of air pollution.

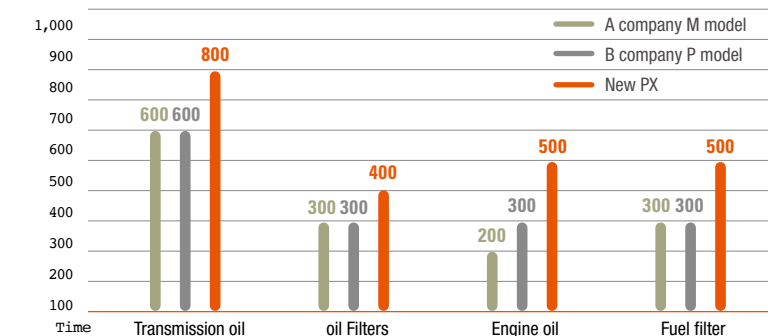


It may cause headache, dizziness, vomiting, irregular respiration, etc. When serious, it causes awareness ambiguity and convulsions.



Fine particles generated after combustion; when inhaled, they can cause serious damage to the lungs or respiratory organs.

Source: Company website



► Maintenance interval comparison.